



KONEX
MATERIAL HANDLING SYSTEMS LLP

158 / 22-2
YEAR OF MFG. - 07/2012
info@konex.co.in

KONEX
MATERIAL HANDLING SYSTEMS LLP

INNOVATOR AND LEADER
IN MANUFACTURING OF
MATERIAL-HANDLING
EQUIPMENT

ABOUT US

We, Konex, proudly introduce ourselves as an innovator and leader in manufacturing cutting-edge material-handling equipment for the industry. We offer an extensive portfolio of cranes - from EOT cranes, Gantry Cranes, Wire Rope Electric Hoists to Jib Cranes and transfer trolleys with a reputation for stability, performance and sustainability. Our products & services are all about customer satisfaction and we always believe in long term association with our esteemed customers by providing efficient, cost effective & safe material-handling solutions with a highly experienced team of engineers, up-to-date technology and supreme quality, Konex has made its mark in various countries across the world through its quality driven approach.

Today, Konex is a reliable and trustworthy name in crane industry. We have made our mark in the industry with hard work, quality of product and engineering excellence.



OUR VISION

Our vision is to be the premier and preferred material-handling engineering company in the world. And to bring this vision to life, we relentlessly work towards product innovation and improvement. Moreover, customers remain our top priority and thus, we always work hard to make sure that our products meet customer satisfaction.

OUR MISSION

Konex aims to deliver the most efficient, advanced and customized material handling solutions to various industries. Our team is always focused and committed to provide best quality products & services at all the times to our valued customers. We have developed the strongest and the most reputed supply chain to ensure timely delivery of products to all our valuable customers. Our mission is to supply excellent quality products to our esteemed clients & be the preferred supplier of material-handling products.

OUR PRODUCTS

Konex is one-stop-solution for all kinds of cranes. A small workshop or a major industrial corporation - our professionally engineered products take care of every kind of lifting and handling solutions

SINGLE GIRDER EOT CRANES

Single Girder EOT Cranes are a type of lightweight material-handling equipment that are commonly used for lightweight load application. It is a compact, modular in construction and light-weight crane that ensures fewer building spaces and lower building loads. It comes with one bridge beam and hoist trolley on the lower flange of bridge girder, ideal for light-duty applications.



As one of the leading manufacturers of single girder cranes, we design cranes as per adequate safety norms. Our cranes are offered in standard configurations as well as custom-built specifications.

Single Girder EOT cranes are available in capacity up to 15 Ton

DOUBLE GIRDER EOT CRANES

Konex Double Girder Cranes are reliable & robust in construction. These are suitable for heavy duty application and available in large range of span up to 40mtr. We have specialization in designing Double Girder Cranes to meet customer application based requirements.

Double Girder EOT Cranes are two bridge beams type and Crab / trolley mounted above the bridge girders.

Double Trolleys / Auxiliary hoisting mechanism can be provided in Double Girder EOT Cranes.



Double Girder EOT Cranes are available in capacity up to 80 Ton

GANTRY CRANES

Gantry Cranes are self-supporting cranes, which means that they don't require support from walls or rigid columns of buildings. It is the top-choice for indoor as well as outdoor application, but especially outdoor. These are available in Single and Double Girder type depending upon customer lifting requirements. Moreover, Gantry cranes are versatile material-handling systems used to handle lighter/heavy loads in the production and manufacturing facilities as well as in outdoor applications. Gantry Cranes are available in capacities up to 30 Ton



SEMI GANTRY CRANES

Semi Gantry Cranes are also known as single-leg cranes which are used in specified limited working area. These cranes don't require runway support on both sides. One end carriage of a semi gantry travels on the regular gantry rail while the opposite end-carriage travels on a rail mounted on the ground. Moreover, these can be used for both indoors and outdoors. Semi Gantry Cranes are available in capacities up to 20 Ton



JIB CRANES

JIB Cranes, also called Pillar Mounted Cranes, are used where material is to be handled in limited Radius Area. The Rotation on the Pillar is usually up to 270 degrees. Motorized 360-degree rotation can also be provided. JIB Cranes are very versatile in handling small parts in assembly shops, press shops, loading & unloading purpose etc. Dedicated JIB cranes for a single workstation allow efficient material handling by reducing waiting time for an overhead crane. JIB cranes are mainly available manual-swing operated with Wire Rope Electric hoists, with/without pillar and capacities up to 3 Ton



WIRE ROPE ELECTRIC HOIST

Konex Wire Rope Electric Hoists are light-weight yet rugged in construction. Furthermore, its compact and modular design simplifies repair and maintenance. It also gives you access to various parts of Wire Rope Electric hoists for ease of maintenance. We specialise in customised hoists like curved path hoists & low headroom hoists.

Wire Rope Electric Hoists are available in capacities up to 15 Ton.



CAGE HOISTS

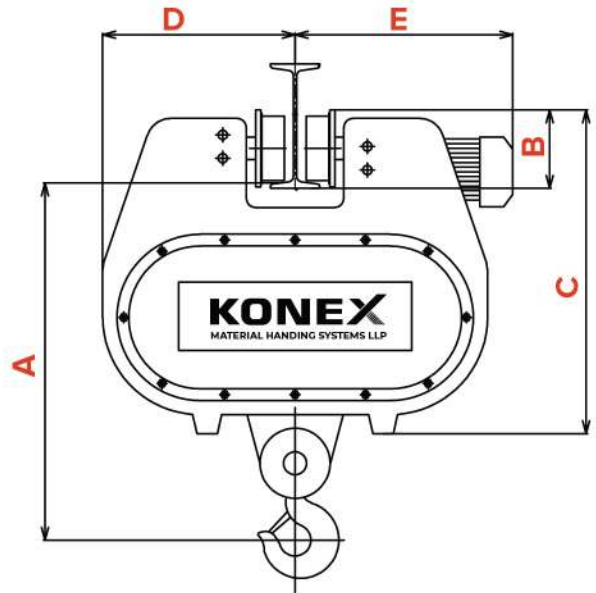
Konex Cage Hoists are available for wall type canopy and supporting steel structure. Konex has Double 'T' Guide arrangement for perfect balancing of cage. These are operated from each floor through push button station.

Interlocking system for doors is always provided in cage hoists as a safety feature. Unless floor doors are not closed properly, lift will not start. Additional Gravity limit switch is always provided in our cage hoist for extra safety, in case failure of primary over hoisting limit switch.



The construction of cage will roll steel section and sides will be covered with Bump Sheets. Top of cage will be covered with M S Sheets & bottom will be made from chequered plate. Collapsible doors are provided in cage as per entry & exit requirement at site

KONEX WIRE ROPE ELECTRIC HOIST TECHNICAL SPECIFICATIONS WITH DIMENSIONAL DETAILS



S.W.L Kgs	Lift mtrs	Speeds mpm		Motor (H.P.)		Wire Rope (mm)	No. of falls	Dimensions (mm)					Weight (Kgs)
		Hoisting	C.T.	Hoisting	C.T.			A	B	C	D	E	
500	6	4	18	1	0.25	6	2	450	200	700	300	400	150
1000	6	4	18	1.5	0.25	8	2	450	200	700	300	400	200
2000	6	4	15	3	0.5	10	2	650	200	1050	500	550	400
3000	6	3.5	15	5	0.5	10	4	750	200	1100	500	550	500
5000	6	3.5	15	7.5	1	12	4	900	250	1100	500	550	550
7500	6	3	15	7.5	1.5	14	4	1500	300	1700	650	700	900
10000	6	3	15	10	1.5	16	4	1500	300	1700	650	700	1100
15000	6	2	10	15	2	18	4	1800	350	1900	750	750	1600

QUALITY OF PRODUCTS

We believe in providing high level of premium quality products to our valuable customers. To ensure that every equipment should be defect free, we follow stringent quality control procedures and for that we have separate quality control department consisting of highly qualified technical staff. We follow strict quality control - from incoming raw material to assembly & finished products. We always use standard & reputed make of components for our products.



WHY KONEX

Besides being the leading manufacture of cranes, we are committed to serving quality product with customer satisfaction being our top-most priority.



BEST-IN-CLASS FEATURES

- Modular, Rugged & low headroom cranes
- Dual Speeds provision through VFD
- High quality reliable products
- Details analysis of application
- Provide cost effective solution
- Advance Technology
- All necessary safety features
- Control Panel components are reputed make & available globally



TIMELY DELIVERY:

To enhance customer satisfaction, we ensure timely execution as well as delivery of products with no compromise on the quality.



BEST AFTER SALES SERVICE

We always believe quick after sales service is very important factor for any kind of industries. Timely response & immediate solution for any kind of problem is always key factor for customer satisfaction.

OUR VALUABLE CLIENTS





KONEX
MATERIAL HANDLING SYSTEMS LLP

S.W.L - 10 TON
SR.NO. - 118 / 22-23
YEAR OF MFG. - 07/2022
info@konex.co.in

KONEX
MATERIAL HANDLING SYSTEMS LLP

Plot No. 17, Shreeji Industrial Park,
Opp. Swagat Estate, Kujad Bakrol Road,
Bakrol, Tal - Daskroi,
Ahmedabad - 382430. India



+91 98240 11164



+91 90999 02956



Info@konex.co.in



www.konex.co.in